

# **PAMS Technical Documentation**

## **NSB-6 Series Transceivers**

# **General Information**

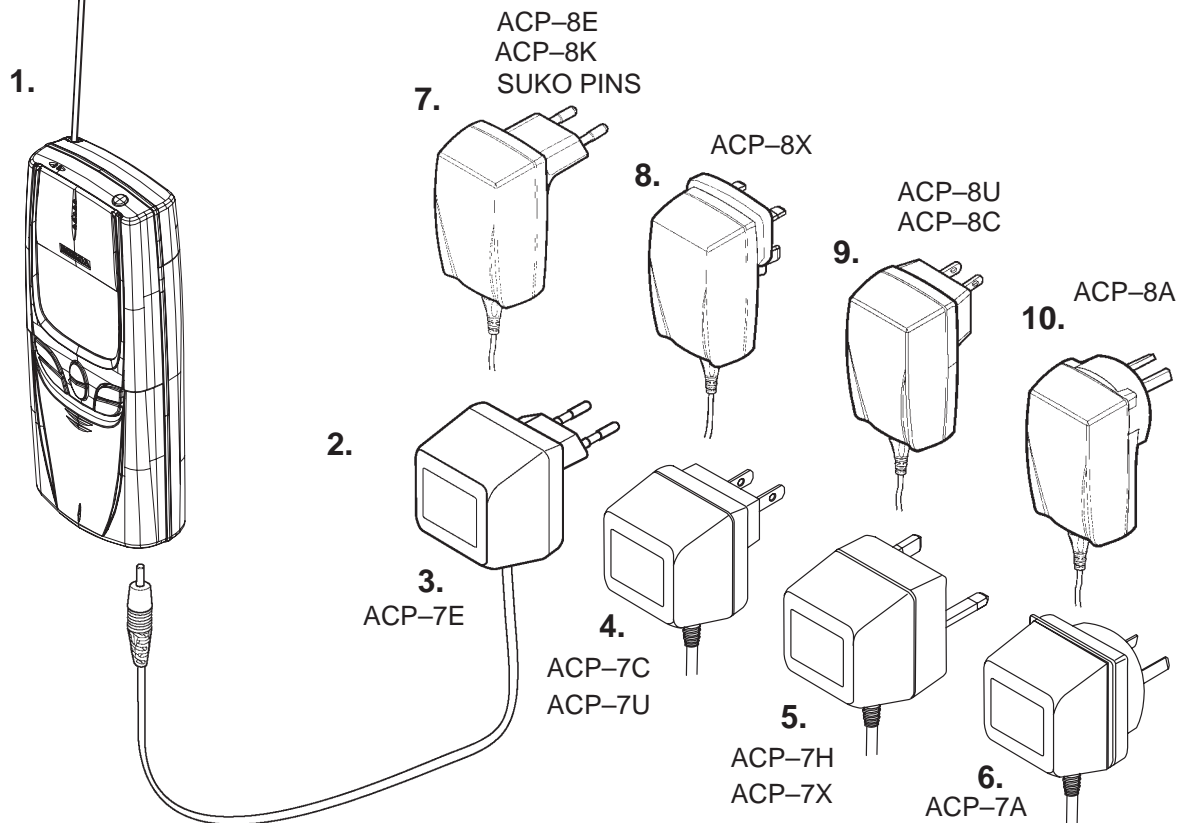
## CONTENTS

Product Selection .....	3
Handportables .....	3
Desktop Option .....	4
Express Car Kit (CARK-119) Option for Americas .....	5
Product and Module List .....	6
Technical Specifications .....	7
RF Specifications of Transceiver NSB-6 .....	7

## Product Selection

### Handportables

The NSB-6 is a dual band handportable mobile telephone for the E-GSM 900 and GSM1900 networks.

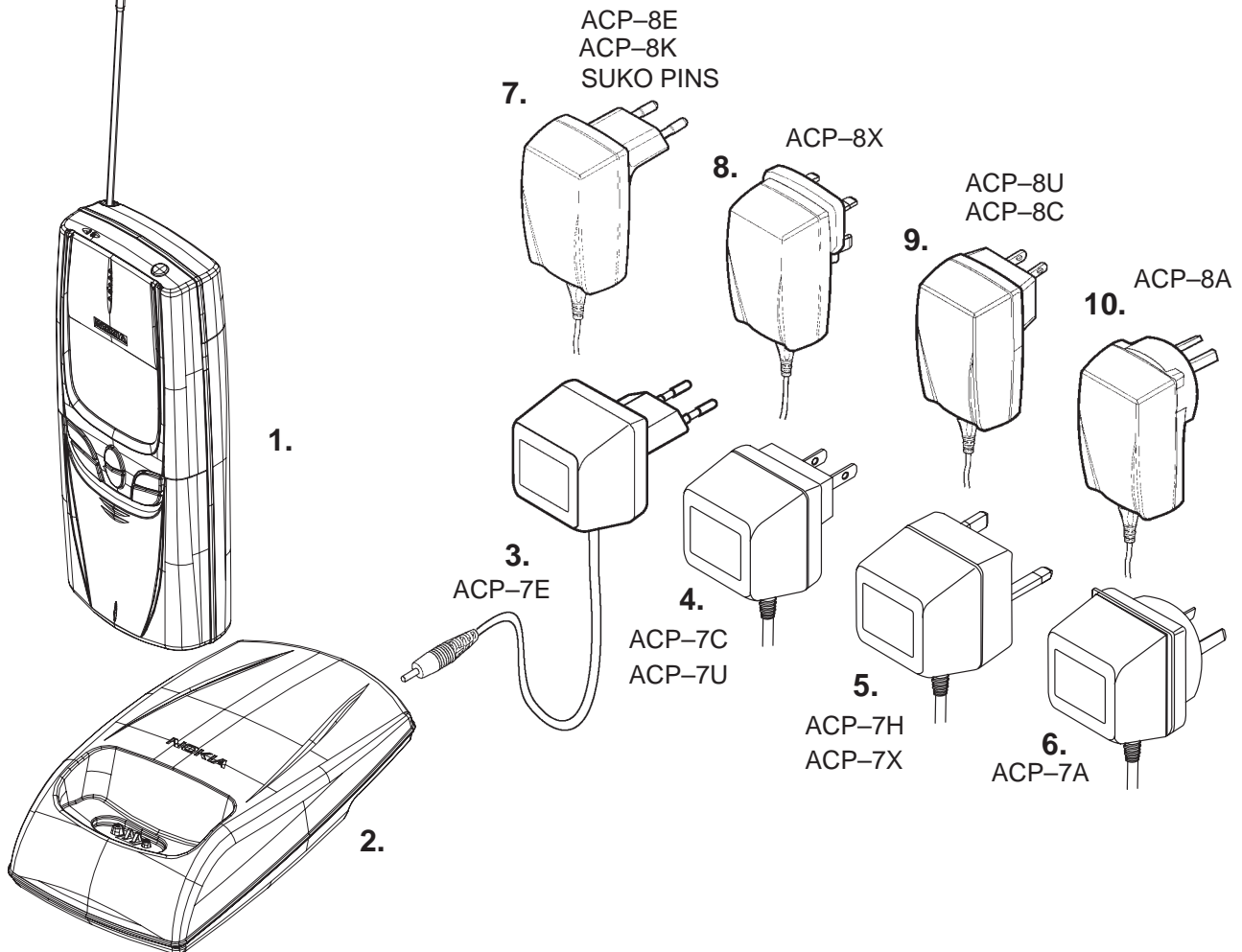


Item Name: \_\_\_\_\_ Type code: \_\_\_\_\_ Material code: \_\_\_\_\_

1.	Transceiver	See Product Variants	
2.	Standard battery (Li-ion 650 mAh)	BLB-2	0670246
3.	AC Travel Charger (Euro plug) 207-253 Vac	ACP-7E	0675144
4.	AC Travel Charger (US plug) 108-132 Vac	ACP-7U	0675143
	AC Travel Charger (US plug) 198-242 Vac	ACP-7C	0675158
5.	AC Travel Charger (UK plug) 207-253 Vac	ACP-7X	0675145
	AC Travel Charger (UK plug) 180-220 Vac	ACP-7H	0675146
6.	AC Travel Charger (Australia) 216-264 Vac	ACP-7A	0675148
7.	Performance Travel Charger Euro plug 90-264 Vac	ACP-8E	0675195
	Performance Travel Charger Korea plug 90-264 Vac	ACP-8K	0675199
8.	Performance Travel Charger UK plug 90-264 Vac	ACP-8X	0675197
9.	Performance Travel Charger US plug 90-264 Vac	ACP-8U	0675196
	Performance Travel Charger China plug 90-264 Vac	ACP-8C	0675211
10.	Performance Travel Charger Australia plug 90-264 Vac	ACP-8A	0675214

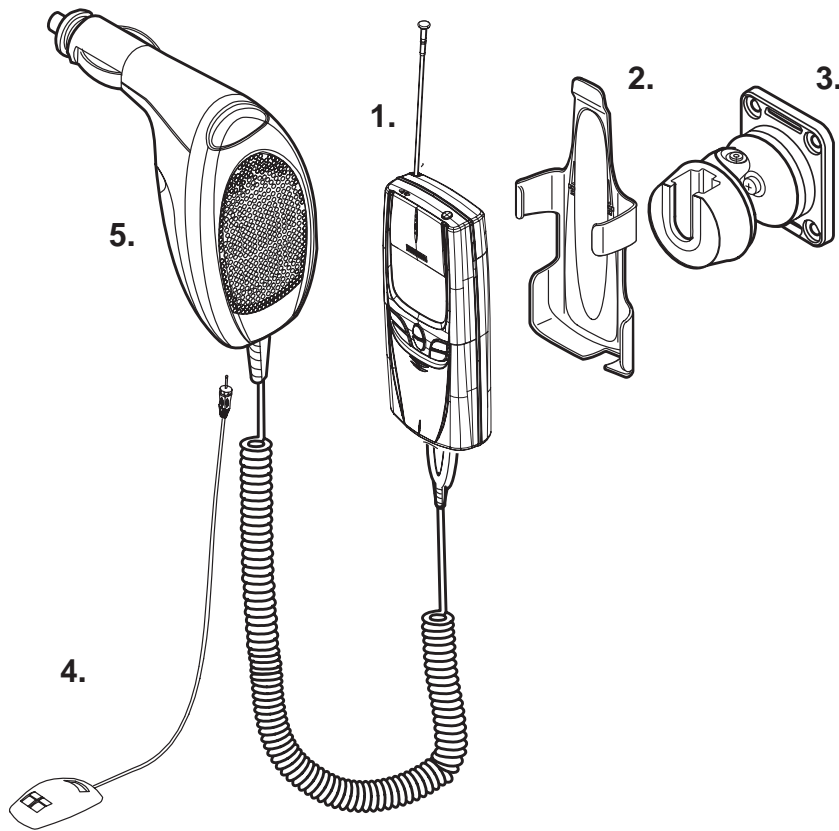
## Desktop Option

The desktop option allows the user to charge the phone from the mains.



Item Name:	Type code:	Material code:
1. Transceiver	See Product Variants	
2. Desk Stand	DVC-1	0675203
3. AC Travel Charger (Euro plug) 207-253 Vac	ACP-7E	0675144
4. AC Travel Charger (US plug) 108-132 Vac	ACP-7U	0675143
AC Travel Charger (US plug) 198-242 Vac	ACP-7C	0675158
5. AC Travel Charger (UK plug) 207-253 Vac	ACP-7X	0675145
AC Travel Charger (UK plug) 180-220 Vac	ACP-7H	0675146
6. AC Travel Charger (Australia) 216-264 Vac	ACP-7A	0675148
7. Performance Travel Charger Euro plug 90-264 Vac	ACP-8E	0675195
Performance Travel Charger Korea plug 90-264 Vac	ACP-8K	0675199
8. Performance Travel Charger UK plug 90-264 Vac	ACP-8X	0675197
9. Performance Travel Charger US plug 90-264 Vac	ACP-8U	0675196
Performance Travel Charger China plug 90-264 Vac	ACP-8C	0675211
10. Performance Travel Charger Australia plug 90-264 Vac	ACP-8A	0675214

## Express Car Kit (CARK-119) Option for Americas



Item Name:	Type code:	Material code:
------------	------------	----------------

Express Car Kit (Cark-119) for Americas (retail pack)	CARK-119	0080331
---	----------	---------

1. Transceiver	(Not included, see Product Variants)	
2. Mobile Holder	HHC-4	0720190
3. Swivel Mount	HHS-12	0620054
4. Hands Free Microphone	HFM-8	0690016
5. Hands Free Cigarette Lighter Charger	PPH-1	0675182

## Product and Module List

<b>Unit/type:</b>	<b>Product code:</b>
<b>Transceiver NSB-6</b>	See Product Variants
<b>Standard Battery BLB-2 650 mAh Li-ion</b>	0670246
<b>Standard Battery BLB-2 650 mAh Li-ion for Americas</b>	0670322
<b>AC Travel Charger ACP-7E (EUR) 207-253 Vac</b>	0675144
<b>AC Travel Charger ACP-7U (US) 108-132 Vac</b>	0675143
<b>AC Travel Charger ACP-7C (US) 198-242 Vac</b>	0675158
<b>AC Travel Charger ACP-7X (UK) 207-253 Vac</b>	0675145
<b>AC Travel Charger ACP-7H (UK) 180-220 Vac</b>	0675146
<b>AC Travel Charger ACP-7A (AUS) 216-264 Vac</b>	0675148
<b>Performance Travel Charger ACP-8E (EUR) 90-264 Vac</b>	0675195
<b>Performance Travel Charger ACP-8K (Korea) 90-264 Vac</b>	0675199
<b>Performance Travel Charger ACP-8X (UK) 90-264 Vac</b>	0675197
<b>Performance Travel Charger ACP-8U (US) 90-264 Vac</b>	0675196
<b>Performance Travel Charger ACP-8C (China) 90-264 Vac</b>	0675211
<b>Performance Travel Charger ACP-8A (Australia) 90-264 Vac</b>	0675214
<b>Headset HDC-5</b>	0694059
<b>Loopset LPS-3</b>	0630244
<b>Desk Stand DCV-1</b>	0675203
<b>Swivel Mount HHS-12</b>	0620054
<b>Mobile Holder (Holster) HHC-4</b>	0720190
<b>HF Microphone HFM-8</b>	0690016
<b>Plug&amp;Play HF Cigarette Lighter Charger PPH-1</b>	0675182
<b>Cigarette Lighter Charger LCH-8</b>	0675231
<b>Cigarette Lighter Charger LCH-9</b>	0675120

## Technical Specifications

### RF Specifications of Transceiver NSB-6

Parameter	Unit
Cellular system	GSM900 and GSM1900
RX frequency band	EGSM: 925 ... 935 MHz GSM900 935 ... 960 MHz GSM1900 1930 ... 1990 MHz
TX frequency band	EGSM 880 ... 890 MHz GSM900 890 ... 915 MHz GSM1900 1850 ... 1910 MHz
Output power	GSM900 * +5 ...+33 dBm / 3.2 mW ... 2 W GSM1900 +0 ...+30 dBm / 1.0 mW ... 1 W
Duplex spacing	GSM900 * 45 MHz GSM1900 80 MHz
Number of RF channels	EGSM 50 GSM900 124 GSM1900 299
Channel spacing	200 kHz
Number of TX power levels	GSM900 * 15 GSM1900 16
Sensitivity, static channel	GSM900: -102 dBm GSM1900: -102 dBm
Frequency error, static channel	< 0.1 ppm
RMS phase error	< 5.0 °
Peak phase error	< 20.0 °

\*) applies also to EGSM

This page intentionally left blank.